



[www.faldu.in](http://www.faldu.in)



An ISO 9001:2015 Certified Company

**FALDU**  
DRAINS | ACCESSORIES | PROFILES

Marketed by: **SUN MARKETING**

Shop No. 15, Shri Krishna Apartment, Opp. Apsara Cinema  
Gultekadi, Pune - 411037, Maharashtra, India

M: +91-93701 44899 T: +91-80550 44899 E: [sunmarketingpune@gmail.com](mailto:sunmarketingpune@gmail.com)

Manufactured by: **SUN INTERIOR PRODUCTS CO.**

Survey no. 137/2, Plot No. 11 & 12, Om Industrial Area, B/h GEB Sub Station,  
Veraval - Padavala Road, Padavala - 360024, Tal. Kotda Sangani, Dist. Rajkot, Gujarat, India.

M: +91-93755 44899 T: +91-94261 84899

E: [info@faldu.in](mailto:info@faldu.in), [sunsipcoss@gmail.com](mailto:sunsipcoss@gmail.com) W: [www.faldu.in](http://www.faldu.in)

indoceramissourcing.com, +91-9910312424, #06/2026

AN  
**ISO 9001:2015**  
CERTIFIED COMPANY

**FALDU**  
WALL NICHE



WALL NICHE

Seamless storage,  
subtle elegance...



[www.faldu.in](http://www.faldu.in)

## What Makes Faldu Special?

Faldu. The finest quality products designed for elegant bathrooms & other utility spaces, stands for super long-life functioning and unmatched aesthetics.

Made with AISI 304 & 316\* grade (\*for bulk order) Stainless Steel for superior finish and functionality, Faldu bathroom products and accessories have grown to become the preferred choice of those seeking high quality standards.

Faldu products are engineered for higher functionality, almost durability, stain & rust free surface, easy cleaning & maintenance, safety and recyclable amongst other industry standards. They come with a high level of finish and provide for exceptional aesthetics. At Faldu, design improvement and process innovation to enhance the functionality are always underway, to achieve higher customer satisfaction, year on year.



## Milestones on our road to the future

-  **2004** Bath Accessories
-  **2012** Floor & Shower Drains
-  **2020** Grab Bars
-  **2021** Technical Profiles
-  **2025** Channel Drains
-  **2026** Wall Niche



An ISO 9001:2015 Certified Company



## The Right Location The Right Genes

Faldu is located near Rajkot, Gujarat, an area known for its Engineering and Manufacturing prowess, and is a renowned source of building material brands that dominate the construction industry, throughout the country.

## Products That Impress

Faldu specializes in Shower Channel Drains, Floor Drains and Bathroom Accessories, Grab Bars and has now begun manufacturing Technical Profiles, Channel Drains & Wall Niche at its extension facilities at Rajkot. This integrated manufacturing facility has 100% in-house operations, which allows complete control over product quality and delivery.

Product development to improve aesthetics, functionality and ease of use is an ongoing effort at Faldu. This has endeared Faldu to the large community of Architects, Designers, Engineers, Builders and Home Owners. Meanwhile, several customized product orders are also in the pipeline, for high-end requirements, corporate OE buyers and export markets.



## How Faldu Ensures Quality

Faldu has product designs, die & mould making, cutting, punching and finishing activities with their attendant machinery and engagement, all integrated under one roof. And all manned by experienced teams of specialists.

The ISO 9001:2015 certification reflects its dedication to quality and customer satisfaction, achieved through a robust Quality Management System that drives excellence in everything we do.

Faldu exports have helped creating a high quality perception for its products in the Indian market. A perception we live up to, everyday at work.





Introducing **FALDU WALL NICHE™** – a sophisticated solution for modern bathroom storage that combines minimalist design with practical functionality. Crafted from premium grade stainless steel with an exclusive brushed matt finish, this recessed wall niche delivers contemporary elegance while maintaining exceptional durability.

The **FALDU WALL NICHE™** is engineered for wet-area installations, featuring seamless integration into residential and commercial bathrooms. Its non-reflective brushed matt surface presents a refined aesthetic that complements both minimalist and transitional bathroom designs, whilst providing superior performance in high-moisture environments.



#### Primary Applications:

- Residential Bathrooms – Master baths, guest bathrooms, powder rooms
- Wet Areas – Shower niches for shampoo/gel storage, bathroom alcoves
- Commercial Spaces – Hotels, wellness centers, spa facilities, luxury apartment complexes
- Compact Living – Small apartments and studio bathrooms requiring space optimization
- Modern Home Designs – Contemporary, minimalist, Scandinavian, industrial, and hybrid interiors

#### Ideal Storage For:

- Shampoos, conditioners, body wash, and shower gels
- Skin-care products and cosmetics
- Bathroom accessories (razors, toothbrushes, soap)
- Decorative elements and aroma-therapy products
- Small toiletries and daily essentials the risk of slips and falls, which can be especially dangerous for older adults.

#### BENEFITS SUMMARY

##### For Homeowners:

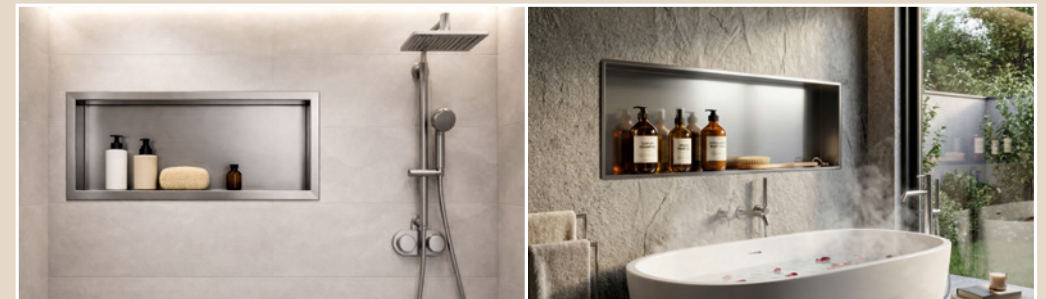
- Elegant, space-saving storage solution
- Low maintenance and long-lasting durability
- Improves bathroom organization and safety
- Timeless design complements modern interiors
- Increases property value with premium bathroom fixture

##### For Designers & Architects:

- Aligns with luxury bathroom design trends
- Flexible sizing for various bathroom configurations
- Professional-grade materials and finishes
- Easy integration into renovation and new construction
- Supports minimalist and modern design philosophies

##### For Contractors & Installation Teams:

- Quick, simple installation process
- Complete kit with all necessary components
- Universal compatibility with multiple wall types
- Professional-grade quality reduces call-backs
- Cost-effective labour saving solution



#### Key Product Benefits

**Maximize Square Footage:** Reclaim valuable floor and counter space by utilizing the depth of the wall.

**Hygienic Superiority:** Non-porous surfaces prevent the growth of mold and mildew common in traditional tiled shelving.

**Ease of Installation:** Designed for both DIY enthusiasts and professional contractors with a "slide-and-seal" installation process.

**Timeless Appeal:** While trends in tile change, the classic elegance of premium metal remains a staple of high-end design.

# Reasons to choose our products

An ISO 9001:2015 Certified Company



INTERNATIONAL GRADE STAINLESS STEEL (SS) FOR BEST AND LASTING PERFORMANCE.



HIGHER GRADE SS ARE MOST RESISTANT TO RUST AND CORROSION IN CONSTANT HUMID CONDITIONS.



PRECISION ENGINEERED FOR EASY INSTALLATION AND ALL ESSENTIAL GUIDELINES PROVIDED.



DETACHABLE / OPENABLE PLATE FOR ROUTINE CLEANING AND MAINTENANCE.



SAFETY IS KEY FOR INSTALLATION AND DAY-TO-DAY USAGE. ALL SHARP EDGES ARE FOLDED INSIDE & TAPERED OUTSIDE.



GLOBALLY COMPLIANT 100% RECYCLABLE MATERIAL.



DETACHABLE / OPENABLE PLATE FOR ROUTINE CLEANING AND MAINTENANCE.



TRANSFORM UNDER-UTILIZED WALL SPACE INTO A SEAMLESS BLEND OF ARCHITECTURAL ELEGANCE & FUNCTIONAL STORAGE IN ANY INTERIOR ENVIRONMENT.



INTERNATIONAL QUALITY STANDARD RAW MATERIAL, CRAFTSMANSHIP AND SIZES TO CATER TO GLOBAL MARKET.



CUSTOMIZED PRODUCT SIZES AND QUALITY CAN BE PRODUCED FOR CORPORATE, OE SOURCING AND INTERNATIONAL MARKET REQUIREMENTS.





# WALL NICHE



**Ultra Modern.  
Sleek Storage.  
Unmatched Durability.**



**INOX SERIES**  
SS-304 WALL NICHE BRUSHED MATT

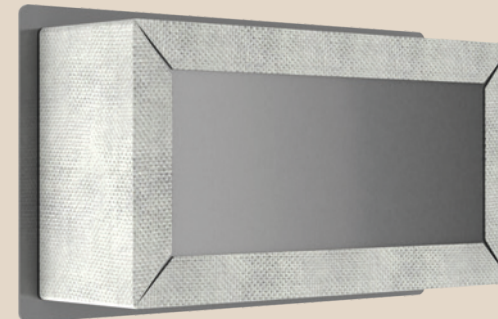
SS-304 BRUSHED MATT



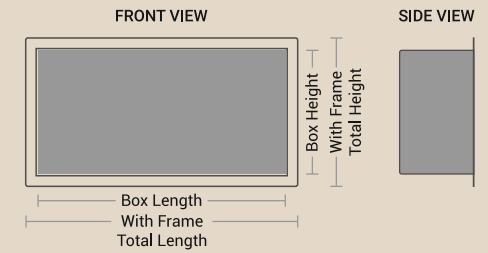
FRONT VIEW



SIDE VIEW



BACK VIEW



INOX Series - SS-304 - Stainless Steel



Code	Length (L)			Height (H)			Depth (D)	With Frame (Lx H)	Compartment (No.)	
	No.	(mm)	(cm)	(Inch)	(mm)	(cm)				(Inch)
LV-INOX-001		300	30	12"	150	15	6"	90	330 x 180	1
LV-INOX-002		300	30	12"	200	20	8"	90	330 x 230	1
LV-INOX-003		300	30	12"	250	25	10"	90	330 x 280	1
LV-INOX-004		300	30	12"	300	30	12"	90	330 x 330	1
LV-INOX-005		400	40	16"	200	20	8"	90	430 x 230	1
LV-INOX-006		400	40	16"	250	25	10"	90	430 x 280	1
LV-INOX-007		400	40	16"	300	30	12"	90	430 x 330	1
LV-INOX-008		600	60	24"	250	25	10"	90	630 x 280	1
LV-INOX-009		600	60	24"	300	30	12"	90	630 x 330	1
LV-INOX-010		900	90	36"	300	30	12"	90	930 x 330	1
LV-INOX-011		1200	120	48"	300	30	12"	90	1230 x 330	1

Note: Back side fabric stickers for installation support are pre-pasted. Sizes in Inches are approximated.





**FALDU** INOX SERIES WITH SHELVES  
WALL NICHE

**FALDU**  
WALL NICHE

**INOX SERIES - WITH SHELVES**  
SS-304 WALL NICHE BRUSHED MATT

TWO COMPARTMENTS



600 X 300 MM

TWO COMPARTMENTS



600 X 300 MM

THREE COMPARTMENTS



900 X 300 MM

INOX Series with Shelf - SS-304 - Stainless Steel



Code	Length (L)			Height (H)			Depth (D)	With Frame (Lx H)	Compartment (No.)
	(mm)	(cm)	(Inch)	(mm)	(cm)	(Inch)			
LV-INOX-SHF-008	600	60	24"	250	25	10"	90	630 x 280	2
LV-INOX-SHF-009	600	60	24"	300	30	12"	90	630 x 330	2
LV-INOX-SHF-010	900	90	36"	300	30	12"	90	930 x 330	3

Note: Back side fabric stickers for installation support are pre-pasted. Sizes in Inches are approximated.



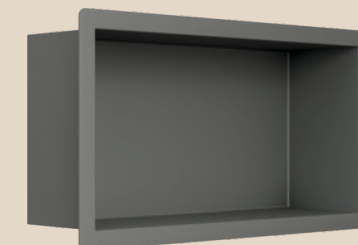
**FALDU** COLOUR SERIES  
WALL NICHE

**COLOUR SERIES**  
ELECTROSTATIC APPLIED COATED COLOURS

VANILLA MATT



SLATE GREY MATT



NOIR MATT



COLOUR Series - SS-304 - Stainless Steel **AISI 304**

Code	Length (L)			Height (H)			Depth (D)	With Frame (Lx H)	Compartment
No.	(mm)	(cm)	(Inch)	(mm)	(cm)	(Inch)	(mm)	(mm)	(No.)
LV-CLR-001	300	30	12"	150	15	6"	90	330 x 180	1
LV-CLR-004	300	30	12"	300	30	12"	90	330 x 330	1
LV-CLR-007	400	40	16"	300	30	12"	90	430 x 330	1
LV-CLR-009	600	60	24"	300	30	12"	90	630 x 330	1
LV-CLR-010	900	90	36"	300	30	12"	90	930 x 330	1
LV-CLR-011	1200	120	48"	300	30	12"	90	1230 x 330	1
<b>WITH SHELF</b>									
LV-CLR-SHF-008	600	60	24"	250	25	10"	90	630 x 280	2
LV-CLR-SHF-009	600	60	24"	300	30	12"	90	630 x 330	2
LV-CLR-SHF-010	900	90	36"	300	30	12"	90	930 x 330	3

Note: Back side fabric stickers for installation support are pre-pasted. Sizes in Inches are approximated. The Colours shown in the catalogue are illustrative in nature, please refer actual sample for exact colour.



**FALDU** INOX - SPOTLIGHT SERIES  
WALL NICHE

**FALDU**  
WALL NICHE

## INOX SPOTLIGHT SERIES SS-304 BRUSHED MATT

SS-304 BRUSHED MATT



INOX SPOTLIGHT Series - SS-304 - Stainless Steel **AISI SS 304**

Code	Length (L)			Height (H)			Depth (D)	With Frame (Lx H)	Compartment
No.	(mm)	(cm)	(Inch)	(mm)	(cm)	(Inch)	(mm)	(mm)	(No.)
LV-ISL-001	300	30	12"	150	15	6"	90	330 x 180	1
LV-ISL-002	300	30	12"	200	20	8"	90	330 x 230	1
LV-ISL-003	300	30	12"	250	25	10"	90	330 x 280	1
LV-ISL-004	300	30	12"	300	30	12"	90	330 x 330	1
LV-ISL-005	400	40	16"	200	20	8"	90	430 x 230	1
LV-ISL-006	400	40	16"	250	25	10"	90	430 x 280	1
LV-ISL-007	400	40	16"	300	30	12"	90	430 x 330	1
LV-ISL-008	600	60	24"	250	25	10"	90	630 x 280	1
LV-ISL-009	600	60	24"	300	30	12"	90	630 x 330	1
LV-ISL-010	900	90	36"	300	30	12"	90	930 x 330	1
LV-ISL-011	1200	120	48"	300	30	12"	90	1230 x 330	1
<b>WITH SHELF</b>									
LV-ISL-SHF-008	600	60	24"	250	25	10"	90	630 x 280	2
LV-ISL-SHF-009	600	60	24"	300	30	12"	90	630 x 330	2
LV-ISL-SHF-010	900	90	36"	300	30	12"	90	930 x 330	3

Note: Back side fabric stickers for installation support are pre-pasted. Sizes in Inches are approximated.



**COLOUR SPOTLIGHT SERIES**  
ELECTROSTATIC APPLIED COATED COLOURS

**COLOUR SPOTLIGHT**



**AVAILABLE COLOUR OPTIONS**



VANILLA



SLATE GREY



NOIR

**COLOUR SPOTLIGHT Series - SS-304 - Stainless Steel**



Code	Length (L)			Height (H)			Depth (D)	With Frame (Lx H)	Compartment (No.)
	(mm)	(cm)	(Inch)	(mm)	(cm)	(Inch)			
LV-CSL-001	300	30	12"	150	15	6"	90	330 x 180	1
LV-CSL-004	300	30	12"	300	30	12"	90	330 x 330	1
LV-CSL-007	400	40	16"	300	30	12"	90	430 x 330	1
LV-CSL-009	600	60	24"	300	30	12"	90	630 x 330	1
LV-CSL-010	900	90	36"	300	30	12"	90	930 x 330	1
LV-CSL-011	1200	120	48"	300	30	12"	90	1230 x 330	1
<b>WITH SHELF</b>									
LV-CSL-SHF-008	600	60	24"	250	25	10"	90	630 x 280	2
LV-CSL-SHF-009	600	60	24"	300	30	12"	90	630 x 330	2
LV-CSL-SHF-010	900	90	36"	300	30	12"	90	930 x 330	3

Note: Back side fabric stickers for installation support are pre-pasted. Sizes in Inches are approximated. The Colours shown in the catalogue are illustrative in nature, please refer actual sample for exact colour.



**FALDU** INOX - PVD SPOTLIGHT SERIES  
WALL NICHE

**PVD SPOTLIGHT SERIES**  
PVD COATED

PVD SPOTLIGHT



AVAILABLE COLOUR OPTIONS



GOLD



ROSE GOLD

PVD SPOTLIGHT Series - SS-304 - Stainless Steel



Code	Length (L)			Height (H)			Depth (D)	With Frame (Lx H)	Compartment (No.)
	(mm)	(cm)	(Inch)	(mm)	(cm)	(Inch)			
LV+PSL-004	300	30	12"	300	30	12"	90	330 x 330	1
LV+PSL-007	400	40	16"	300	30	12"	90	430 x 330	1
LV+PSL-009	600	60	24"	300	30	12"	90	630 x 330	1
LV+PSL-010	900	90	36"	300	30	12"	90	930 x 330	1
LV+PSL-011	1200	120	48"	300	30	12"	90	1230 x 330	1

Note: Back side fabric stickers for installation support are pre-pasted. Sizes in Inches are approximated. The Colours shown in the catalogue are illustrative in nature, please refer actual sample for exact colour.



**TILEX SERIES**  
SS-304 WALL NICHE BRUSHED MATT

WITH TILE INSERT



INSIDE VIEW



CLOSED VIEW



INSIDE VIEW



FRONT VIEW WITHOUT TILE



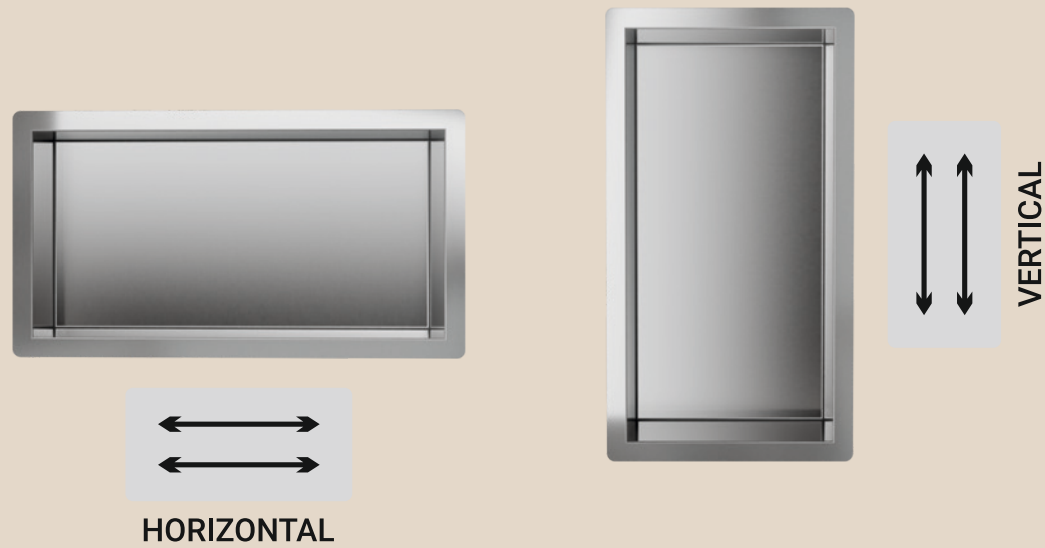
TILEX Series - Invisible Wall Niche with Tile Insert - SS-304 - Stainless Steel



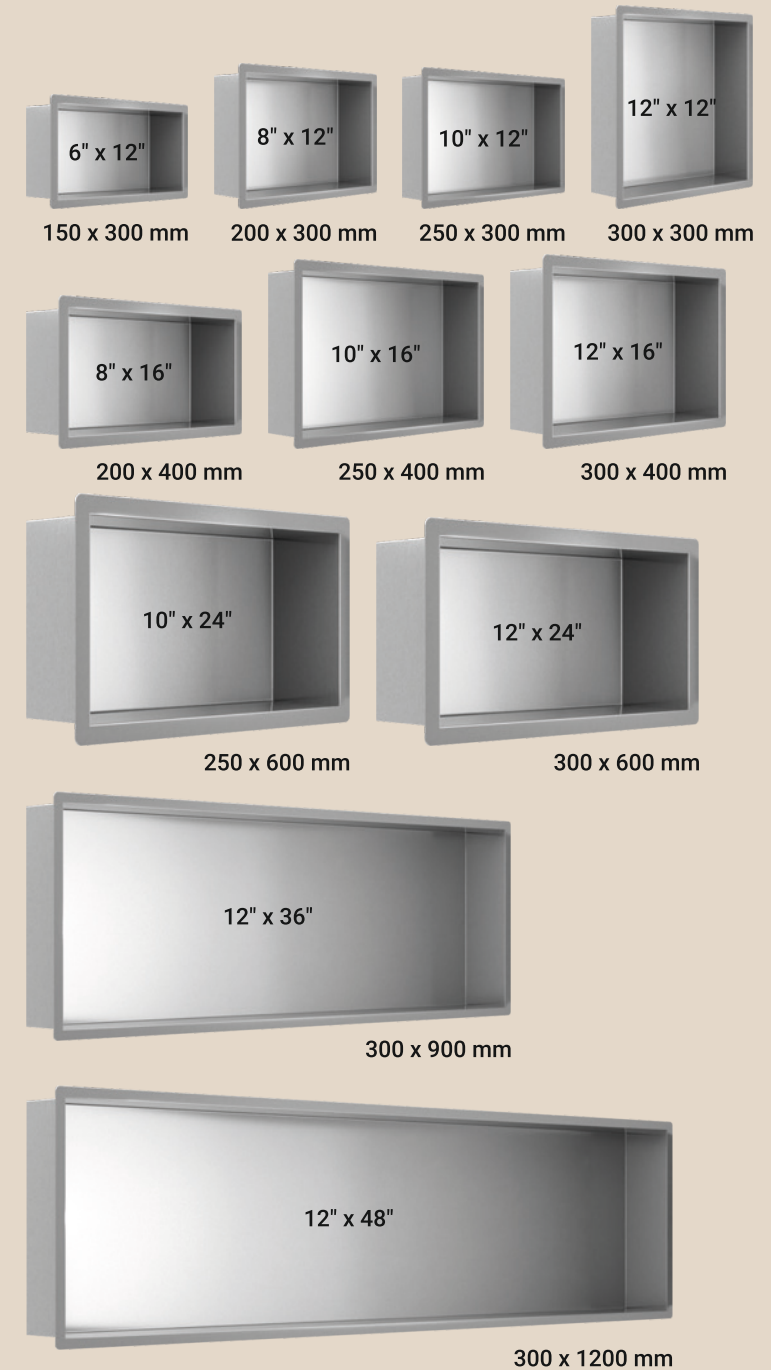
Code	Length (L)			Height (H)			Depth (D)	With Frame (Lx H)	Compartment
	No.	(mm)	(cm)	(Inch)	(mm)	(cm)			
LV-TLX-001	300	30	12"	150	15	6"	90	330 x 180	1
LV-TLX-004	300	30	12"	300	30	12"	90	330 x 330	1

Note: Back side fabric stickers for installation support are pre-pasted. Sizes in Inches are approximated.  
Tile Insert is not a part of the product. These products have 90° angle.

## APPLICATIONS



## SIZE CHART



## VERSATILE APPLICATION AREAS

Space	The Concept
The Shower Sanctuary	Replace cluttered wire caddies with a sleek, recessed alcove for premium apothecary and bath essentials.
The Culinary Hub	Recess your artisanal oils and spices directly into the backsplash for a chef-grade, organized kitchen.
Living & Gallery	Utilize integrated LED niches to highlight sculptures or curated decor in hallways and foyers.
Wellness & Spas	Provide high -durability, hygienic storage for commercial hospitality environments.

Note: Sizes in Inches are approximated for the sake of understanding. Please consider final sizes in mm with +/- 1% tolerance



**FALDU** **FRAMELESS SERIES**  
WALL NICHE

**FALDU**  
WALL NICHE

**FRAMELESS SERIES**  
COLOUR

VANILLA MATT



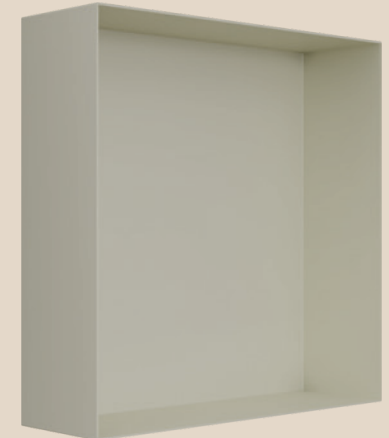
RECTANGLE SHAPE



VANILLA MATT



SQUARE SHAPE



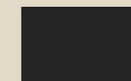
MATT FINISH AVAILABLE COLOUR OPTIONS



VANILLA



SLATE GREY



NOIR

FRAMELESS SS-304 & COLOUR Series - SS-304 - Stainless Steel



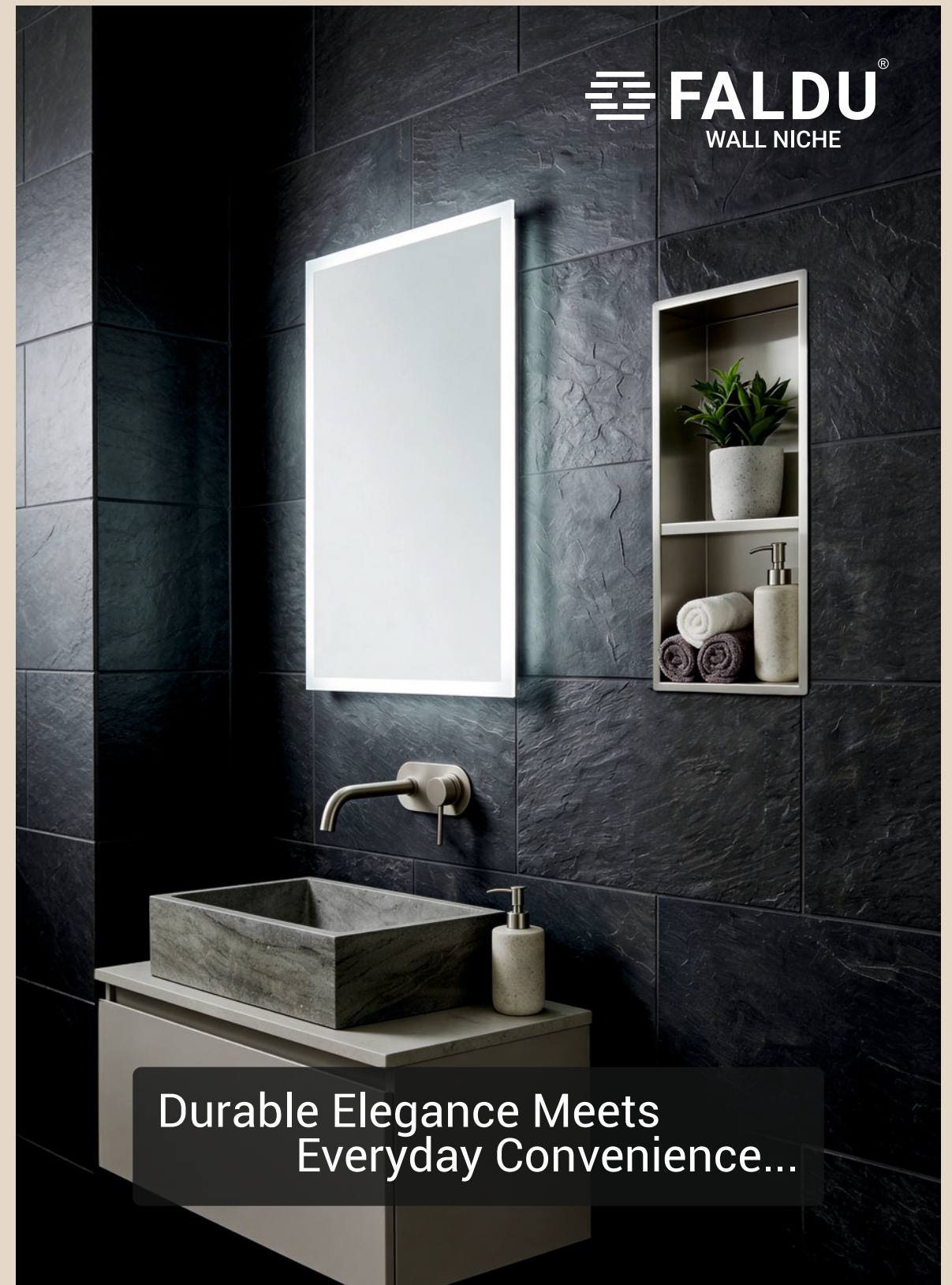
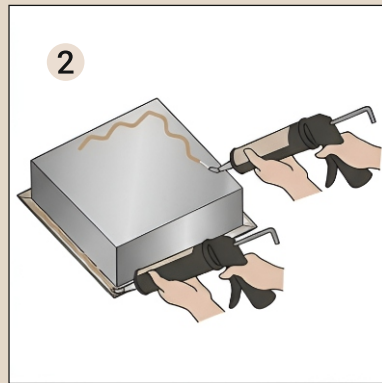
Code	Length (L)			Height (H)			Depth (D)	With Frame (Lx H)	Compartment
No.	(mm)	(cm)	(Inch)	(mm)	(cm)	(Inch)	(mm)	(mm)	(No.)
LV-FRM-001	300	30	12"	150	15	6"	90	330 x 180	1
LV-FRM-004	300	30	12"	300	30	12"	90	330 x 330	1
LV-FRM-009	600	60	24"	300	30	12"	90	630 x 330	1

Note: Back side fabric stickers for installation support are pre-pasted. Sizes in Inches are approximated.

## INSTALLATION GUIDE

Our niches are designed for **Pre-Tile** or **Post-Tile** integration.

- 1. Frame:** Make space / niche in the wall as per the dimensions of the Wall Niche along with the margin of fixing adhesive or sealant or silicon.
- 2. Seal:** To install your niche, apply a consistent bead of high quality adhesive or sealant to the back flanges for structural support.
- 3. Set:** Insert the niche into the rough opening. Level and secure using construction adhesive or mechanical fasteners (depending on substrate).
- 4. Finish:** Apply matching colour adhesive or sealant or silicon\* to the frame edges to prevent moisture penetration. Clean up extra adhesive or sealant or silicon from frame to make a perfectly finished edges.



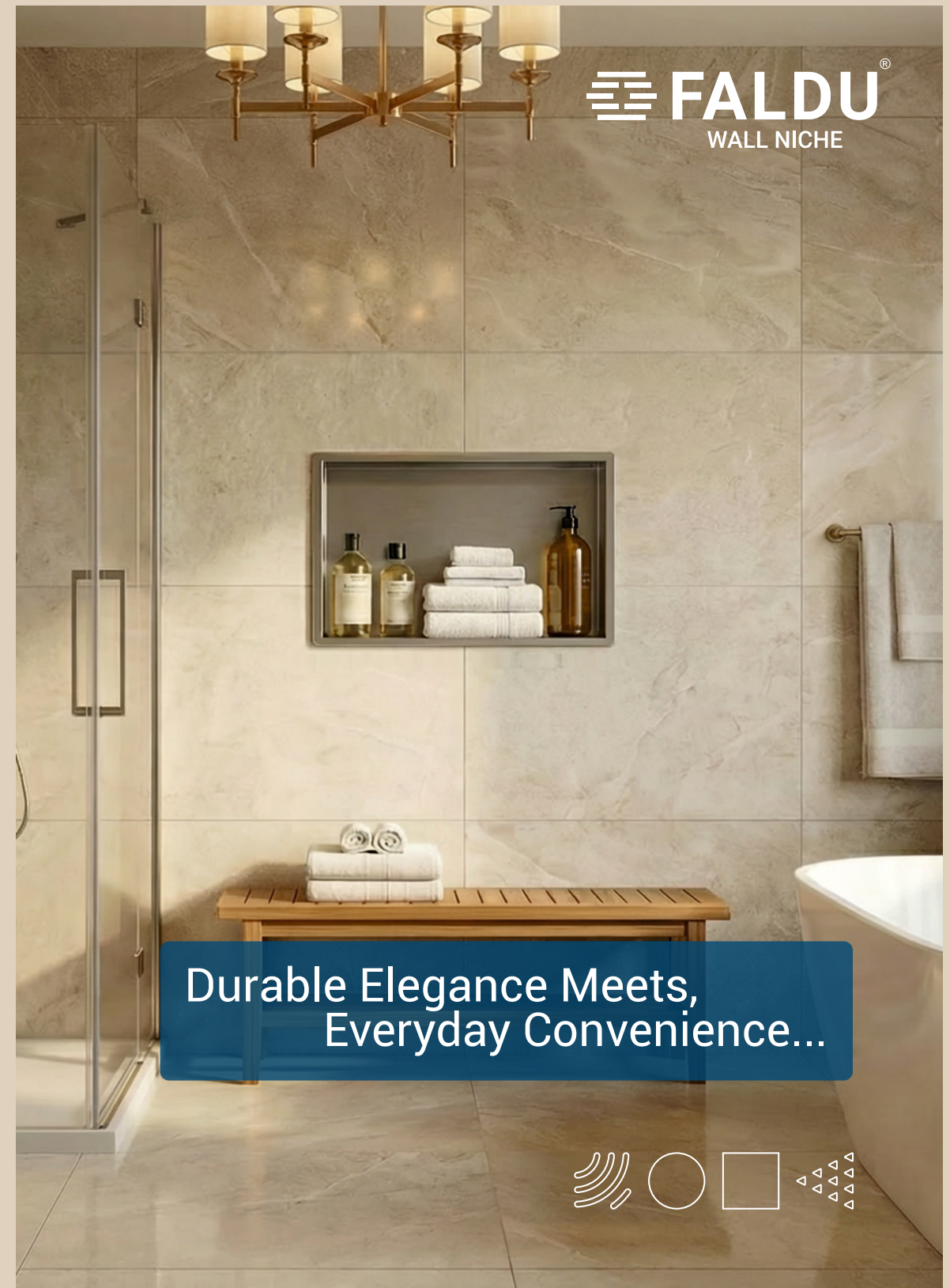
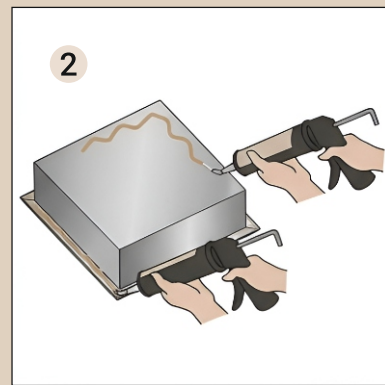
Durable Elegance Meets  
Everyday Convenience...

## INSTALLATION METHODOLOGY



Our niches are designed for **Pre-Tile** or **Post-Tile** integration.

- 1. Frame:** Make space / niche in the wall as per the dimensions of the Wall Niche along with the margin of fixing adhesive or sealant or silicon.
- 2. Seal:** To install your niche, apply a consistent bead of high quality adhesive or sealant to the back flanges for structural support.
- 3. Set:** Insert the niche into the rough opening. Level and secure using construction adhesive or mechanical fasteners (depending on substrate).
- 4. Finish:** Apply matching colour adhesive or sealant or silicon\* to the frame edges to prevent moisture penetration. Clean up extra adhesive or sealant or silicon from frame to make a perfectly finished edges. \* We recommend using LOCTITE Ultimate Silicon for installing this product.



Durable Elegance Meets,  
Everyday Convenience...

